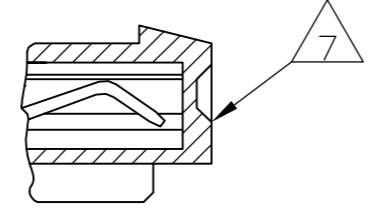
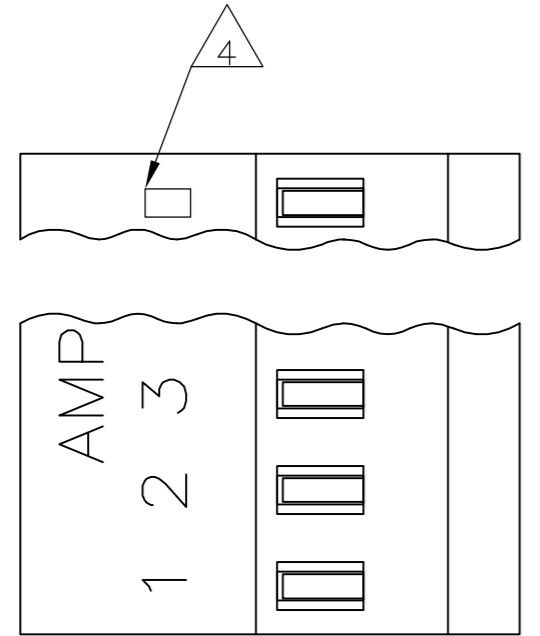
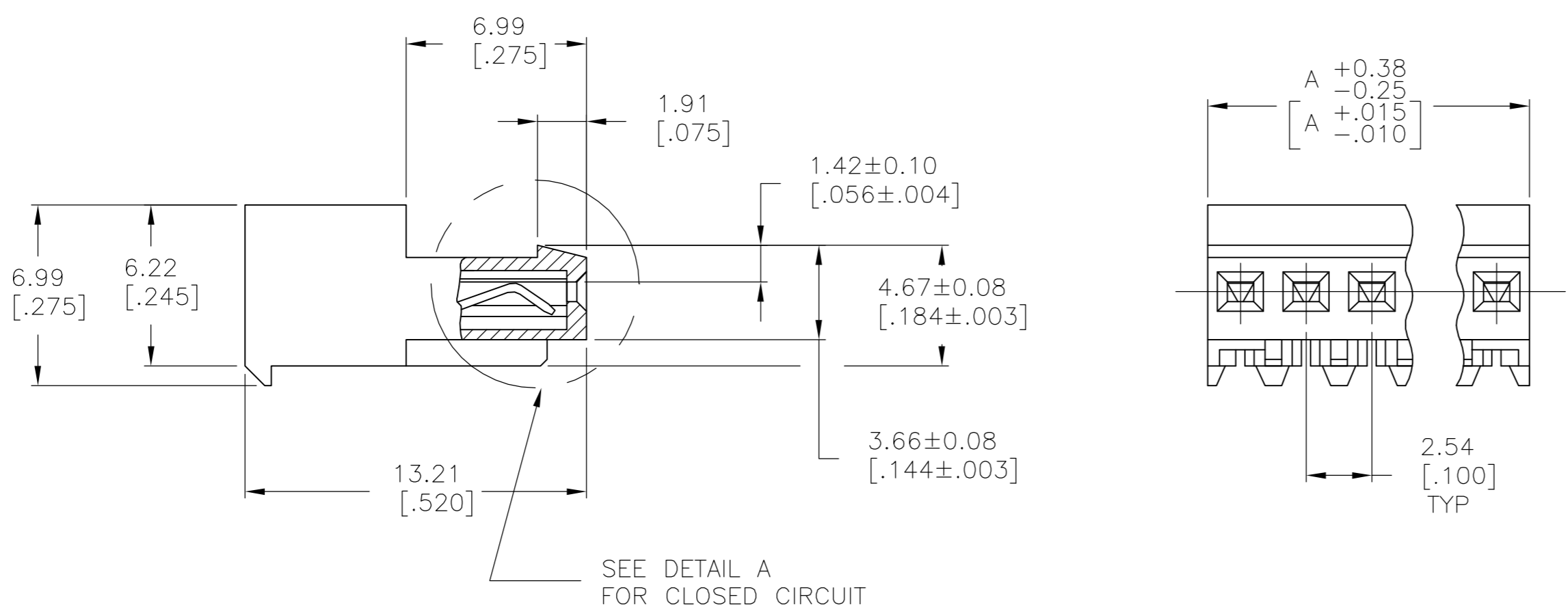


THIS DRAWING IS UNPUBLISHED. RELEASED FOR PUBLICATION
 © COPYRIGHT BY TYCO ELECTRONICS CORPORATION. ALL RIGHTS RESERVED.

LOC	DIST	REVISIONS					
CM	00	P	LTR	DESCRIPTION	DATE	DWN	APVD
		H		REVISED PER ECO-07-003755	28FEB07	KW	DB

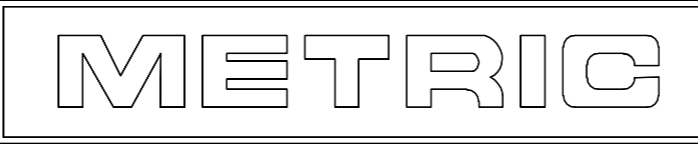


DETAIL A



FINISH	DIM A	NO OF CIRCUITS	PART NO
TIN	17.78 [.700]	7	3-644101-7
	15.24 [.600]	6	3-644101-6
TIN-LEAD	17.78 [.700]	7	644101-7
	15.24 [.600]	6	644101-6

- 1 MATERIAL: CONNECTOR - NYLON UL94V-2 (WHITE).
CONTACTS - 0.30[.012] THICK COPPER ALLOY
MATTE WHISKER MITIGATED TIN
0.00203[.000080] MIN THICKNESS
OVER NICKEL UNDERPLATE OR BRIGHT
TIN-LEAD 93/7 0.00203[.000080] MIN
THICKNESS. SEE FINISH COLUMN FOR
PLATING TYPE.
- 2. CONTACTS ACCEPT 24 AWG WIRE WITH 1.52[.060] MAX
INSULATION DIAMETER.
- 3. CONTACTS MUST ACCEPT .64±0.03[.025±.001] SQUARE
POST AND REMAIN LOCKED IN POSITION.
- 4 IDENTIFICATION NUMBER FOR LAST CIRCUIT MAY
NOT APPEAR ON ALL ASSEMBLIES.
- 5. DIMENSIONS IN BRACKETS ARE IN INCHES.
- 6. HOUSING FEATURES ARE: CLOSED END WITH LOCKING RAMP.
- 7 DETAIL A SHOWS CIRCUIT NO.5 MOLDED CLOSED.



THIS DRAWING IS A CONTROLLED DOCUMENT.

DWN B. LEWIS 22APR91	Tyco Electronics Corporation Harrisburg, Pa 17105-3608				
CHK R. SWING 22APR91					
APVD G. MILLER 22APR91					
PRODUCT SPEC 108-1050 APPLICATION SPEC 114-1019					
MATERIAL 1	FINISH 1	NAME MTA-100 CONNECTOR ASSEMBLY, 24 AWG, NO.5 CIRCUIT CLOSED, SPECIAL			
CUSTOMER DRAWING		SIZE A2	CAGE CODE 00779	DRAWING NO C=644101	RESTRICTED TO -
		SCALE 5:1	SHEET 1 OF 1	REV H	